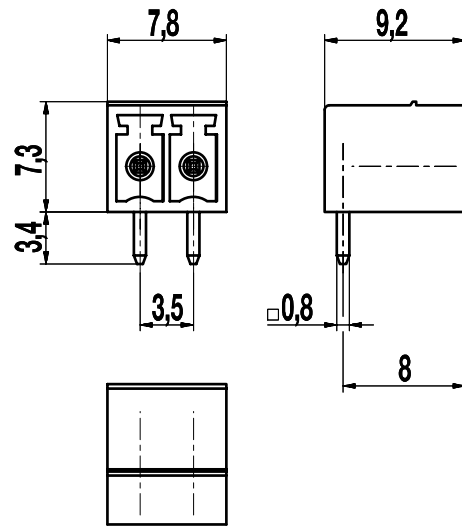


110-ME-111

Pin strip
Plug-in direction parallel to PCB



GENERAL INFORMATION

Pitch	3,5 mm
No. of poles	2 - 24
Usable with	110-FEP-111

TECHNICAL DATA

Rated Voltage	160V
Rated Impulse Voltage	2,5 kV
Rated Current	11A
Hole in PCB	ø 1,3 mm

APPROVALS

	Current [A]	Voltage [V]	Group	AWG	[Nm]
	11	300	B,D		

MATERIAL

Moulding	PA V0, black
Temperature Range	-40°C up to 130°C
Solder pin	0,8 x 0,8 mm; tin-plated copper alloy

OPTIONS / ACCESSORIES

- Coding elements

CONFIGURATIONS

Poles	Item	Article number	Length (L)	Packaging	PU
2	110-ME-111/02	10.842.652	7,8 mm	Box	250
3	110-ME-111/03	10.842.653	11,3 mm	Box	250
4	110-ME-111/04	10.842.654	14,8 mm	Box	250
5	110-ME-111/05	10.842.655	18,3 mm	Box	
6	110-ME-111/06	10.842.656	21,8 mm	Box	
7	110-ME-111/07	10.842.657	25,3 mm	Box	
8	110-ME-111/08	10.842.658	28,8 mm	Box	
9	110-ME-111/09	10.842.659	32,3 mm	Box	100
10	110-ME-111/10	10.842.660	35,8 mm	Box	
11	110-ME-111/11	10.842.661	39,3 mm	Box	
12	110-ME-111/12	10.842.662	42,8 mm	Box	

further number of poles on request

